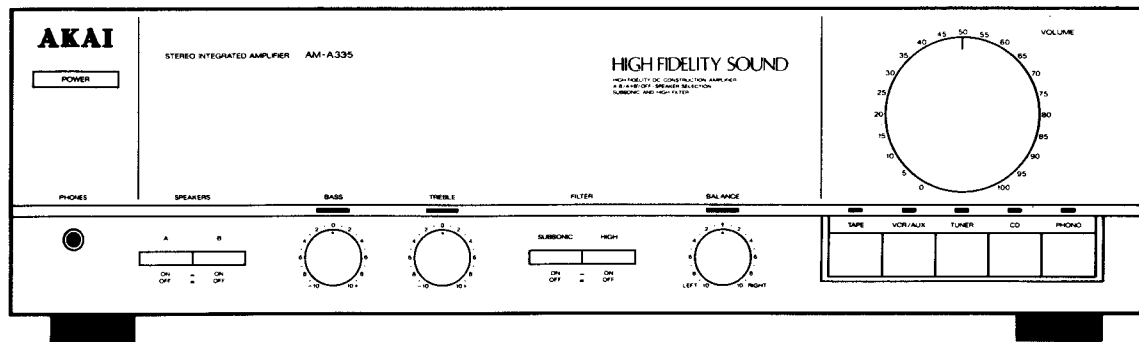


AKAI SERVICE MANUAL



STEREO INTEGRATED AMPLIFIER

MODEL AM-A335

MODEL AM-A535

SPECIFICATIONS

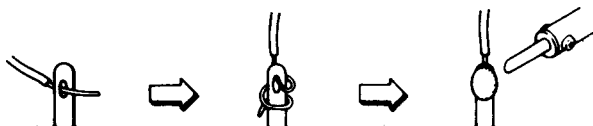
| | |
|-----------------------------|---|
| Power output (DIN 1 kHz) | |
| AM-A335 | 35 W+35 W |
| AM-A535 | 60 W+60 W |
| Music power output | |
| AM-A335 | 160 W |
| AM-A535 | 270 W |
| S/N (IHF-A) | |
| Phono (MM) | 75 dB |
| Tuner etc. | 100 dB |
| Residual noise | 0.4 mV |
| Channel separation | |
| (1 kHz) | 60 dB |
| Damping factor | |
| (1 kHz, 8 ohms) | 35 |
| Required speaker impedance | |
| A or B | 4 ohms to 16 ohms |
| A and B | 8 ohms to 16 ohms |
| Input sensitivity/Impedance | |
| Phono (MM) | 3 mV/47 kohms |
| Tuner, etc | 150 mV/47 kohms |
| Phono max. input level | |
| (1 kHz) | 100 mV |
| Filters | |
| High | 7 kHz, -6 dB/oct |
| Subsonic | 18 Hz, -6 dB/oct |
| Power requirements | 220V, 50 Hz for Europe except UK, 240V, 50 Hz for UK and Australia, 110V/120V/220V/240V, 50/60 Hz convertible for other countries. |
| Dimensions | 425(W)×130(H)×270(D)mm (16.7×5.1×10.6 inches) |
| Weight | |
| AM-A335 | 8.0 kg(17.6 lbs) |
| AM-A535 | 9.0 kg(19.8 lbs) |
| Standard accessories | |
| Operator's manual | 1 |

* For improvement purposes, specifications and design are subject to change without notice.

★ SAFETY INSTRUCTIONS

PRECAUTIONS DURING SERVICING

1. Parts identified by the Δ (*) symbol parts are critical for safety. Replace only with parts number specified.
2. In addition to safety, other parts and assemblies are specified for conformance with such regulations as those applying to spurious radiation. These must also be replaced only with specified replacements.
Examples: RF converters, tuner units, antenna selector switches, RF cables, noise blocking capacitors, noise blocking filters, etc.
3. Use specified internal wiring. Note especially:
 - 1) Wires covered with PVC tubing
 - 2) Double insulated wires
 - 3) High voltage leads
4. Use specified insulating materials for hazardous live parts. Note especially:
 - 1) Insulation Tape
 - 2) PVC tubing
 - 3) Spacers (Insulating Barriers)
 - 4) Insulation sheets for transistors
 - 5) Plastic screws for fixing microswitch (especially in turntable)
5. When replacing AC primary side components (transformers, power cords, noise blocking capacitors, etc.), wrap ends of wires securely about the terminals before soldering.



6. Observe that wires do not contact heat producing parts (heatsinks, oxide metal film resistors, fusible resistors, etc.).

7. Check that replaced wires do not contact sharp edged or pointed parts.
8. Also check areas surrounding repaired locations.
9. Use care that foreign objects (screws, solder droplets, etc.) do not remain inside the set.

SAFETY CHECK AFTER SERVICING

After servicing, make measurements of leakage-current or resistance in order to determine that exposed parts are acceptably insulated from the supply circuit.

The leakage-current measurement should be done between accessible metal parts (such as chassis, ground terminal, microphone jacks, signal-input/output connectors, etc.) and the earth ground through a resistor of 1500 ohms paralleled with a 0.15 μ F capacitor, under the unit's normal working conditions. The leakage-current should be less than 0.5 mA rms AC.

The resistance measurement should be done between accessible exposed metal parts and power cord plug prongs with the power switch (if included) "ON". The resistance should be more than 2.2 Mohms.

★ INFORMATION

SYMBOLS FOR PRIMARY DESTINATION

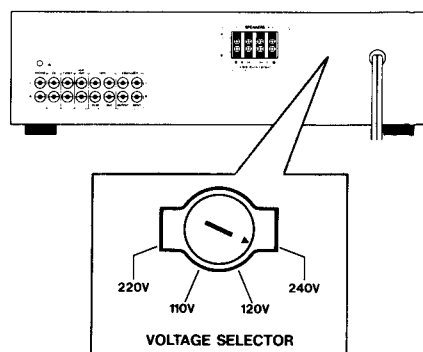
Alphabet indicates the destination of the units as listed below.

| Symbols | Principal Destinations |
|-----------|------------------------|
| A | USA |
| B | UK |
| C | Canada |
| E | Europe (except UK) |
| J | Japan |
| S | Australia |
| V | W. Germany only |
| U | Universal Area |
| Y* | Custom version |

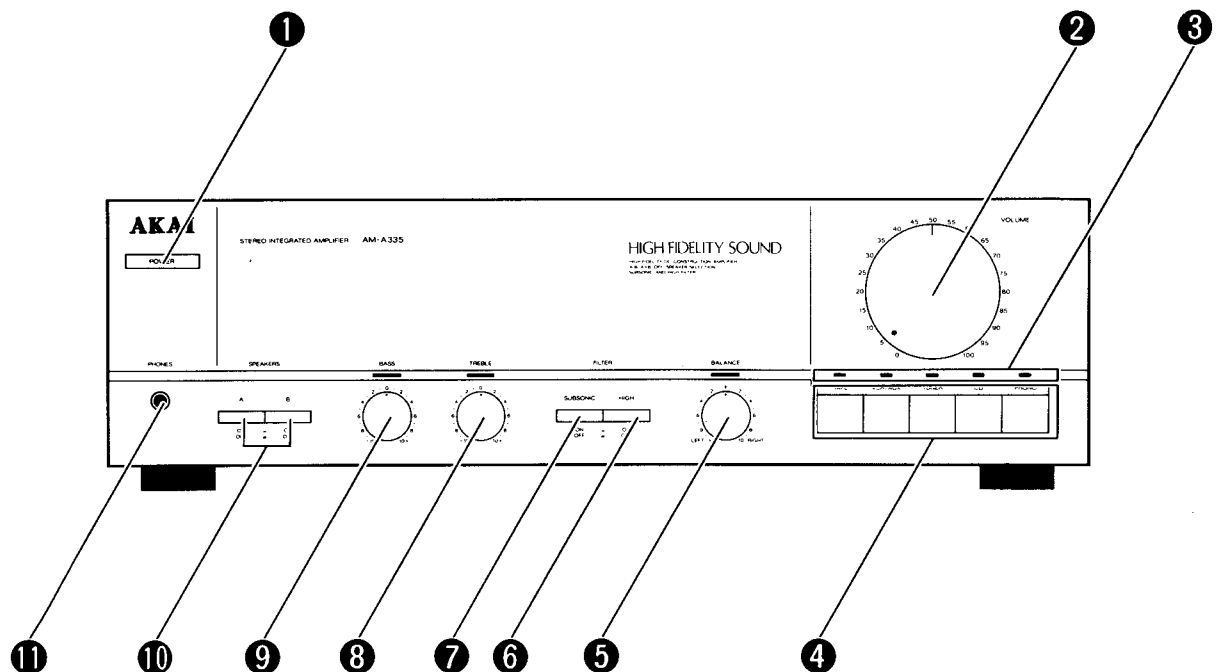
VOLTAGE CONVERSION

(**U** Model only)

Before connecting the power cord. Set the VOLTAGE SELECTOR located on the rear panel with a screw-driver so that the correct voltage is indicated.



I. CONTROLS

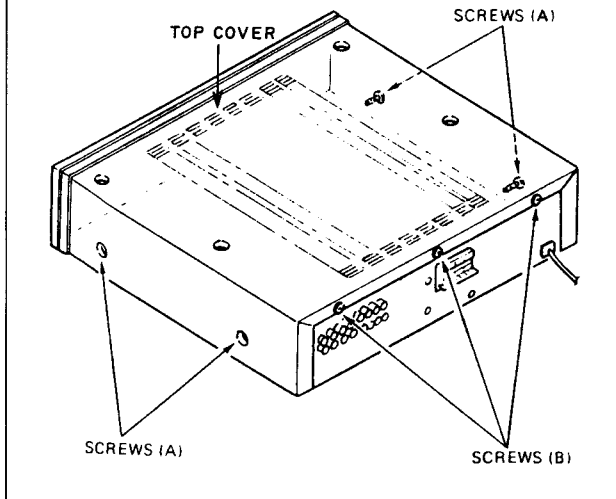


- 1 POWER Button**
To turn the power on and off.
- 2 VOLUME Control**
To adjust the volume level.
- 3 Input Source Indicators (TAPE, VCR/AUX, TUNER, CD, PHONO)**
Tells you the amplifier is turned on and which playback source is selected.
- 4 Input Select Buttons (TAPE, VCR/AUX, TUNER, CD, PHONO)**
To select a playback or recording source you wish to listen to.
- 5 BALANCE Control (LEFT/RIGHT)**
To adjust the left and right channel volume balance.
- 6 HIGH FILTER Switch (ON/ OFF)**
To turn the high filter on and off.
- 7 SUBSONIC FILTER Switch (ON/ OFF)**
To turn the subsonic filter on and off.
- 8 TREBLE Tone Control**
To adjust the high note (treble) level. When set to 0, the control is ineffective.
- 9 BASS Tone Control**
To adjust the low note (bass) level. When set to 0, the control is ineffective.
- 10 A and B SPEAKERS Switch (ON/ OFF)**
To turn the speaker system on and off.
- 11 PHONES Jack**
For headphone listening. Connect the headphone plug to the jack.

II. DISASSEMBLY

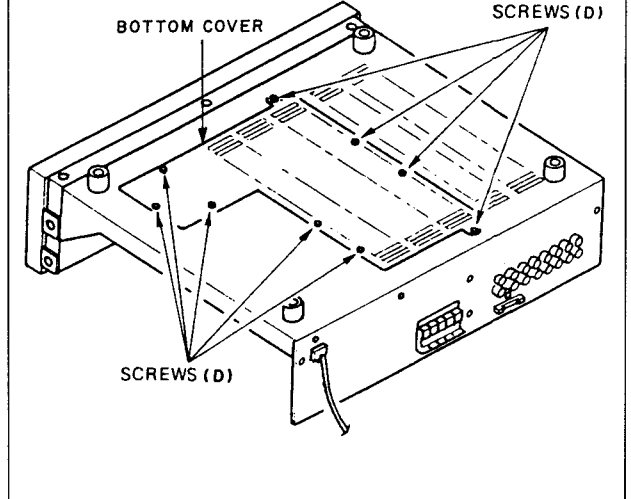
1. Removal of TOP COVER

Remove 4 screws (A) and 3 screws (B).



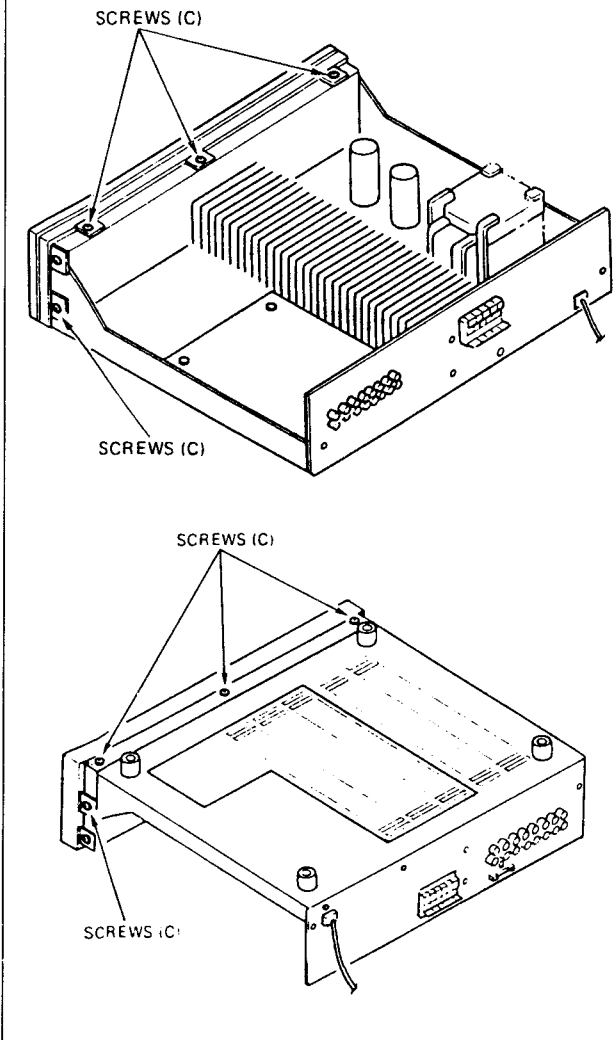
3. Removal of BOTTOM COVER

Remove 9 screws (D).



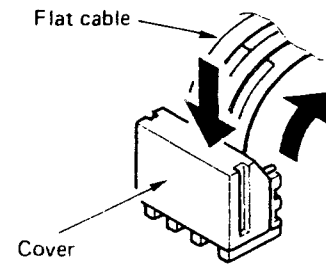
2. Removal of FRONT COVER

Remove 8 screws (C).

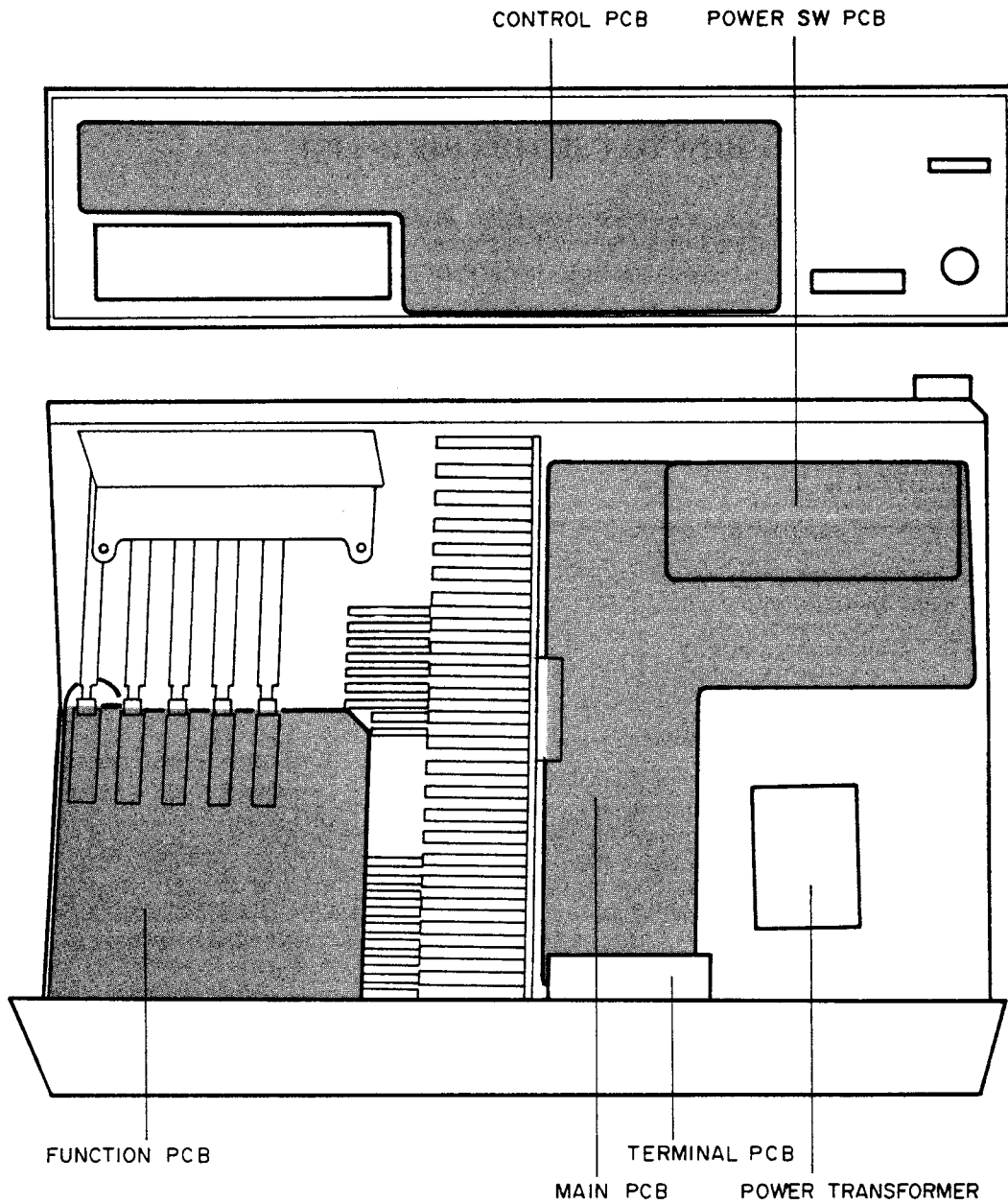


How to disconnect the flat cable

Pull up the flat cable, depressing the cover of connector.



III. PRINCIPAL PARTS LOCATION



IV. PARTS LIST

ATTENTION

1. When placing an order for parts, be sure to list Part No., Model No. and the description of each part. Otherwise, the non-delivery of the part or the delivery of a wrong part may result.
2. Please make sure that Part No. is correct when ordering. If not, a part different from the one you ordered may be delivered.
3. Since the parts shown in Parts List of Preliminary Service Manual may have been the subject of changes, please use this Parts List for all future reference.

HOW TO USE THIS PARTS LIST

1. This Parts List lists those parts which are considered necessary for repairs. Other common parts, such as resistors and capacitors, are listed in the "Common List for Service Parts" from which these parts should be selected and stocked.
2. The Recommended Spare Parts List shows those parts in the Parts List which are considered particularly important for service.
3. Parts not shown in the Parts List and "Common List for Service Parts" will not in principle be supplied.
4. How to read the Parts List.
 - a) Mechanism Block
 - b) PC Board

2. HEAD BASE BLOCK

| REF. NO. | PART NO. | DESCRIPTION |
|----------|---------------|--------------------|
| 1 | BH-T2023A320A | HEAD BASE BLOCK |
| 2 | HP-H2206A010A | HEAD R/P PR4-8FU C |
| 3 | ZS-477876 | PAN20×03STL CMT |
| 4 | ZS-536488 | BID20×08STL CMT |
| 5 | ZG-402895 | SP CS ANGLE ADJUST |

↑ SP (Service Parts) Classification
 This number corresponds with the individual parts index number in that figure.

6. MAIN PC BOARD

| REF. NO. | PART NO. | DESCRIPTION |
|----------|-----------|------------------------------|
| IC1 | EI-324536 | IC HD14049BP |
| IC2 | EI-336801 | IC MB8841-564M |
| C1A | EC-338399 | C MMY V 223M 250AC [U,E,B,S] |
| C1B | EC-350949 | C MMY V 223M 250DC [J] |
| C1C | EC-338397 | C MMY V 223M 125AC [C,A] |
| X1 | EI-318384 | OSC X'TAL NC-18C |

↑ Symbols for primary destination —
 [A] : AAL (U.S.A) [S] : SAA (Australia)
 [B] : BEAB (England) [U] : U/T (Universa Area)
 [C] : CSA (Canada Area)
 [E] : CEE (Europe) [V] : VDE (W. Germany)
 [J] : JPN (Japan) [Y] : Custom Version
 ↑ SP (Service Parts) Classification
 These reference symbols correspond with component symbols in the Schematic Diagrams.

The available PC Board Blocks are listed separately.

5. When Part No. is known, Parts Index at end of Parts List can be used to locate where that part is shown in Parts List by its Reference No. listed at right of Part No.

WARNING

△(*) INDICATES SAFETY CRITICAL COMPONENTS. FOR CONTINUED SAFETY, REPLACE SAFETY CRITICAL COMPONENTS ONLY WITH MANUFACTURE'S RECOMMENDED PARTS.

AVERTISSEMENT

△(*) IL INDIQUE LES COMPOSANTS CRITIQUES DE SÉCURITÉ. POUR MAINTENIR LE Degré DE SÉCURITÉ DE L'APPAREIL, NE REMPLACER QUE DES PIÈCES RECOMMANDÉES PAR LE FABRICANT.

1. RECOMMENDED SPARE PARTS

We suggest you to stock the following Recommended Spare Part items listed below since they can cover most of the routine service.

| Ref. No. | Part No. | Description |
|----------|-------------|---|
| 1 | *BT-727073T | TRANS POWER AM-A335(U) [U] [AM-A335] |
| 2 | *BT-727086T | TRANS POWER AM-A535(B,S) [B,S] [AM-A535] |
| 3 | *BT-727087T | TRANS POWER AM-A535(E,V) [E,V] [AM-A535] |
| 4 | *BT-720729 | TRANS POWER TPZ-4066 AM-A305 (B,S) [B,S] [AM-A335] |
| 5 | *BT-720730 | TRANS POWER TPZ-4067 AM-A305 (E) [E,V] [AM-A335] |
| 6 | *BT-727088T | TRANS POWWER AM-A535(U) [U] [AM-A535] |
| 7 | ED-727084T | D LED SE-6321 [PHONE] |
| 8 | *ED-353550 | D SILICON DBA30C-K12 200/3.0A [AM-A335] |
| 9 | *ED-350748 | D SILICON DBA60C-K15 200/6.0A [AM-A535] |
| 10 | *ED-357754 | D SILICON DS135D 200/1.0A |
| 11 | *ED-327057 | D SILICON H DS442X |
| 12 | *ED-348990 | D SILICON H DS446 |
| 13 | *ED-706156 | D ZENER H RD16E B3 |
| 14 | *EF-359007 | FUSE BET T 250V 1.25A [B,S] [AM-A535] |
| 15 | *EF-364518 | FUSE BET T 250V 2.50A [B,S] [AM-A335] |
| 16 | *EF-359225 | FUSE BET T 250V 3.15A [B,S] [AM-A335] |
| 17 | *EF-359086 | FUSE BET T 250V 4.00A [B,S] [AM-A535] |
| 18 | *EF-358641 | FUSE BET T 250V 800MA [B,S] [AM-A335] |
| 19 | *EF-602550 | FUSE SEMKO T 250V 1.25A [U] [AM-A335] |
| 20 | *EF-601301 | FUSE SEMKO T 250V 2.00A [U] [AM-A535] |
| 21 | *EF-623125 | FUSE SEMKO T 250V 2.50A [E,V] [AM-A335] |
| 22 | *EF-691007 | FUSE SEMKO T 250V 3.15A [E,V] [AM-A335] |
| 23 | *EF-690996 | FUSE SEMKO T 250V 4.00A [E,V] [AM-A535] |
| 24 | *EF-258344 | FUSE SEMKO T 250V 800MA [E,V] [AM-A335] |
| 25 | *EI-346071 | IC M5218L-21 |
| 26 | *EI-358554 | IC STK4152II [AM-A335] |
| 27 | *EI-727090T | IC STK4192-2 [AM-A535] |
| 28 | ES-720698 | SW PUSH SPH121A [SUBSONIC ON/OFF] |
| 29 | ES-727077T | SW PUSH SPUF54AA37-CL [INPUT SELECTOR] |
| 30 | ES-727078T | SW PUSH SPUL24C003-CL [SPEAKER SELECTOR] |
| 31 | *ES-720817 | SW PUSH 125V 10A [POWER SW] |
| 32 | *ES-349070 | SW SELECTOR YKS11-0002 02-4 [U] |
| 33 | *ET-348302 | TR FET 2SK381 C,D F05 |
| 34 | *ET-371005 | TR 2SA1284 D,E F05 |
| 35 | *ET-308141 | TR 2SC2603 G F05 |
| 36 | *ET-720724 | TR 2SC3244 D,E |
| 37 | EV-725592T | VR ROTARY VB161GPV25F-15C50K [TREBLE] |
| 38 | EV-725471T | VR ROTARY VB161PV25F-48M10K [BALANCE] |
| 39 | EV-727083T | VR VB101GPV25F-15A 103 [VOLUME] |

2. P.C BOARD BLOCK

| Ref. No. | Part No. | Description |
|----------|------------|--------------------------------|
| 1A | BA-727072T | PC(#) MAIN BLK AM-A335 (U) |
| 1B | BA-727154T | PC(#) MAIN BLK AM-A335 (E) |
| 1C | BA-727153T | PC(#) MAIN BLK AM-A335 (V) |
| 1D | BA-727075T | PC(#) MAIN BLK AM-A335 (B,S) |
| 1E | BA-727074T | PC(#) MAIN BLK AM-A535 (U) |
| 1F | BA-727156T | PC(#) MAIN BLK AM-A535 (E) |
| 1G | BA-727155T | PC(#) MAIN BLK AM-A535 (V) |
| 1H | BA-727089T | PC(#) MAIN BLK AM-A535 (B,S) |
| 2 | BA-727085T | PC FUNCTION BLK AM-A335 |

3. MAIN P.C BOARD

| Ref. No. | Part No. | Description |
|----------|-------------|---|
| C45A | *EC-352643 | C EC V 472M 40DC [AM-A335] |
| C45B | *EC-351909 | C EC V CUT SM 472M 50.0DC [AM-A535] |
| C46A | *EC-352643 | C EC V 472M 40DC [AM-A335] |
| C46B | *EC-351909 | C EC V CUT SM 472M 50.0DC [AM-A535] |
| D31A | *ED-353550 | D SILICON DBA30C-K12 200/3.0A [AM-A335] |
| D31B | *ED-350748 | D SILICON DBA60C-K15 200/6.0A [AM-A535] |
| D51 | *ED-706156 | D ZENER H RD16E B3 |
| D61 | *ED-706156 | D ZENER H RD16E B3 |
| D801 | *ED-348990 | D SILICON H DS446 |
| D802 | *ED-327057 | D SILICON H DS442X |
| D803 | *ED-357754 | D SILICON DS135D 200/1.0A |
| D804 | *ED-348990 | D SILICON H DS446 |
| D805 | *ED-348990 | D SILICON H DS446 |
| IC301A | *EI-358554 | IC STK4152II [AM-A335] |
| IC301B | *EI-727090T | IC STK4192-2 [AM-A535] |
| J331 | EJ-720702 | PHONE J [HEADPHONE] |
| L301 | EO-337880 | COIL FIX 2 202AK-018 2R2K |
| L302 | EO-342936 | COIL BALUM |
| L401 | EO-337880 | COIL FIX 2 202AK-018 2R2K |
| L402 | EO-342936 | COIL BALUM |
| R51A | *ER-360064 | R OMF H S10 FS 1/2W 221J [AM-A335] |
| R51B | *ER-325843 | R OMF H S15 FS 1W 391J [AM-A535] |
| R61 | *ER-720717 | R CB 1/3W 560J |
| R308 | *ER-368966 | R CB H FS RDS 1/4W 8R2J |
| R311 | *ER-341940 | R OMF H S15 FS 1W 100J |
| R312 | *ER-341940 | R OMF H S15 FS 1W 100J |
| R314 | *ER-324337 | R CB H S10 FS RDS 1/4W 560J |
| R315A | *ER-378735J | R OMF H S12 FS 1W 391J [AM-A335] |
| R315B | *ER-355633 | R OMF H S15 FS 1W 331J [AM-A535] |
| R411 | *ER-341940 | R OMF H S15 FS 1W 100J |
| R412 | *ER-341940 | R OMF H S15 FS 1W 100J |
| R415A | *ER-378735J | R OMF H S12 FS 1W 391J [AM-A335] |
| R415B | *ER-355633 | R OMF H S15 FS 1W 331J [AM-A535] |
| R801 | *ER-720699 | R CB 1/3W 100J |
| R804 | *ER-313517 | R OMF H S20 FS 2W 222J |
| SW331 | ES-727078T | SW PUSH SPUL24C003-CL [SPEAKER SELECTOR] |
| TR51 | *ET-720724 | TR 2SC3244 D,E |
| TR52 | *ET-348302 | TR FET 2SK381 C,D F05 |
| TR61 | *ET-371005 | TR 2SA1284 D,E F05 |
| TR62 | *ET-348302 | TR FET 2SK381 C,D F05 |

| Ref. No. | Part No. | Description |
|----------|------------|--|
| TR801 | *ET-308141 | TR 2SC2603 G F05 |
| F3A | *EF-691007 | FUSE SEMKO T 250V 3.15A [E,V] [AM-A335] |
| F3B | *EF-359225 | FUSE BET T 250V 3.15A [B,S] [AM-A335] |
| F3C | *EF-690996 | FUSE SEMKO T 250V 4.00A [E,V] [AM-A535] |
| F3D | *EF-359086 | FUSE BET T 250V 4.00A [B,S] [AM-A535] |
| F4A | *EF-691007 | FUSE SEMKO T 250V 3.15A [E,V] [AM-A335] |
| F4B | *EF-359225 | FUSE BET T 250V 3.15A [B,S] [AM-A335] |
| F4C | *EF-690996 | FUSE SEMKO T 250V 4.00A [E,V] [AM-A535] |
| F4D | *EF-359086 | FUSE BET T 250V 4.00A [B,S] [AM-A535] |
| F5A | *EF-691007 | FUSE SEMKO T 250V 3.15A [U] [AM-A335] |
| F5B | *EF-623125 | FUSE SEMKO T 250V 2.50A [E,V] [AM-A335] |
| F5C | *EF-364518 | FUSE BET T 250V 2.50A [B,S] [AM-A335] |
| F5D | *EF-690996 | FUSE SEMKO T 250V 4.00A [U] [AM-A535] |
| F5E | *EF-691007 | FUSE SEMKO T 250V 3.15A [E,V] [AM-A535] |
| F5F | *EF-359225 | FUSE BET T 250V 3.15A [B,S] [AM-A535] |
| F6A | *EF-691007 | FUSE SEMKO T 250V 3.15A [U] [AM-A335] |
| F6B | *EF-623125 | FUSE SEMKO T 250V 2.50A [E,V] [AM-A335] |
| F6C | *EF-364518 | FUSE BET T 250V 2.50A [B,S] [AM-A335] |
| F6D | *EF-690996 | FUSE SEMKO T 250V 4.00A [U] [AM-A535] |
| F6E | *EF-691007 | FUSE SEMKO T 250V 3.15A [E,V] [AM-A535] |
| F6F | *EF-359225 | FUSE BET T 250V 3.15A [B,S] [AM-A535] |

4. EQUALIZER P.C BOARD

| Ref. No. | Part No. | Description |
|----------|------------|---|
| IC101 | *EI-346071 | IC M5218L-21 |
| J101 | EJ-720703 | PIN J |
| J102 | EJ-720704 | [PHONO/CD] PIN J. 4P |
| J103 | EJ-720704 | [TUNER, VCR/AUX] PIN J. 4P |
| J104 | EJ-720704 | [TAPE] PIN J. 4P |
| R129 | *ER-720699 | [EQUALIZER] R CB 1/3W 100J |
| R130 | *ER-720699 | R CB 1/3W 100J |
| SW101 | ES-727077T | SW PUSH SPUF54AA37-CL [INPUT SELECTOR] |

5. POWER SW P.C BOARD

| Ref. No. | Part No. | Description |
|----------|------------|---|
| L11 | EO-338409 | COIL LF FKOB160MH02 250UH [V] |
| SW11 | *ES-720817 | SW PUSH 125V 10A [POWER SW] |
| F1A | *EF-602550 | FUSE SEMKO T 250V 1.25A [U] [AM-A335] |
| F1B | *EF-258344 | FUSE SEMKO T 250V 800MA [E,V] [AM-A335] |
| F1C | *EF-358641 | FUSE BET T 250V 800MA [B,S] [AM-A335] |
| F1D | *EF-601301 | FUSE SEMKO T 250V 2.00A [U] [AM-A535] |
| F1E | *EF-602550 | FUSE SEMKO T 250V 1.25A [E,V] [AM-A535] |
| F1F | *EF-359007 | FUSE BET T 250V 1.25A [B,S] [AM-A535] |
| F2A | *EF-602550 | FUSE SEMKO T 250V 1.25A [U] [AM-A335] |
| F2B | *EF-601301 | FUSE SEMKO T 250V 2.00A [U] [AM-A535] |

6. FUNCTION P.C BOARD

| Ref. No. | Part No. | Description |
|----------|------------|---------------------------------------|
| D101 | ED-727084T | D LED SE-6321 [PHONE] |
| D102 | ED-727084T | D LED SE-6321 [CD] |
| D103 | ED-727084T | D LED SE-6321 [TUNER] |
| D104 | ED-727084T | D LED SE-6321 [VCR/AUX] |
| D105 | ED-727084T | D LED SE-6321 [TAPE] |
| IC501 | *EI-346071 | IC M5218L-21 |
| R511 | *ER-720699 | R CB 1/3W 100J |
| R512 | *ER-720699 | R CB 1/3W 100J |
| SW501 | ES-720698 | SW PUSH SPH121A [SUBSONIC ON/OFF] |
| SW502 | ES-720698 | SW PUSH SPH121A [HIGH ON/OFF] |
| VR101 | EV-727083T | VR VB101GPV25F-15A 103 [VOLUME] |
| VR102 | EV-725471T | VR ROTARY VB161PV25F-4BM10K [BALANCE] |
| VR501 | EV-725592T | VR ROTARY VB161GPV25F-15C50K [TREBLE] |
| VR601 | EV-725592T | VR ROTARY VB161GPV25F-15C50K [BASS] |

7. ASSEMBLY BLOCK

| Ref. No. | Part No. | Description |
|----------|-------------|--|
| 1 | ZS-320906 | ST BR30X06STL CMT |
| 2 | MZ-727067T | LINK POWER |
| 3 | MZ-727070T | LINK FUNCTION |
| 4A | *BT-727073T | TRANS POWER AM-A335(U) [U] [AM-A335] |
| 4B | *BT-720730 | TRANS POWER TPZ-4067 AM-A305 (E) [E,V] [AM-A335] |
| 4C | *BT-720729 | TRANS POWER TPZ-4066 AM-A305 (B,S) [B,S] [AM-A335] |
| 4D | *BT-727088T | TRANS POWWER AM-A535(U) [U] [AM-A535] |
| 4E | *BT-727087T | TRANS POWER AM-A535(E,V) [E,V] [AM-A535] |
| 4F | *BT-727086T | TRANS POWER AM-A535(B,S) [B,S] [AM-A535] |
| 5 | ZW-727076T | WASHER SPRING |
| 6 | ZS-715479 | T-SCREW 3X14 |
| 7 | EJ-722929T | TERMINAL EARTH |
| 8 | ZW-727071T | WASHER GND |
| 9 | EJ-720690 | PLUG SHORT PIN |
| 10 | EJ-720705 | TERMINAL BOARD (SP) |
| 11 | *ES-349070 | SW SELECTOR YKS11-0002 02-4 [U] |
| 12 | *EZ-371605 | BUSH CORD 2271 |
| 13A | *EW-374894 | AC CORD 2C VM-0129A,VFF U/T [U] |
| 13B | *EW-336923 | AC CORD 2C KP-419C,LTCE-2F EV [E,V] |
| 13C | *EW-727063T | AC CORD BS6500 (B) [B] |
| 13D | *EW-347898 | AC CORD 2 CORES VM-0436,LCFL S [S] |

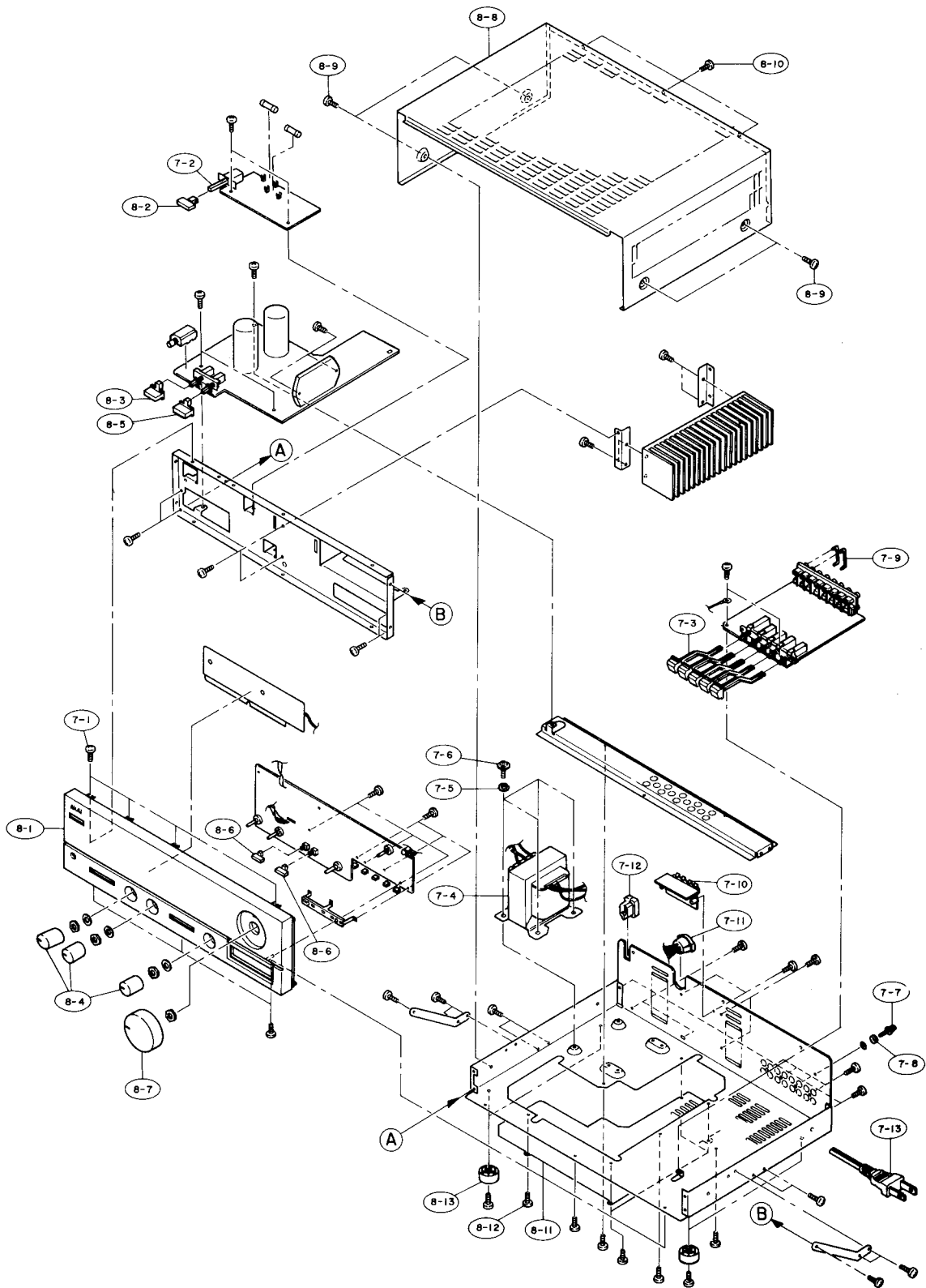
8. FINAL ASSEMBLY BLOCK

| Ref. No. | Part No. | Description |
|----------|------------|-----------------------------------|
| 1A | BD-727082T | PANEL FRONT BLK AM-A335 [AM-A335] |
| 1B | BD-727091T | PANEL FRONT BLK AM-A535 [AM-A535] |
| 2 | SK-720593 | KNOB POWER |
| 3 | SK-727068T | KNOB SPEAKER |
| 4 | SK-725598T | KNOB TONE-B |
| 5 | SK-727068T | KNOB SPEAKER |
| 6 | SK-727069T | KNOB MODE |
| 7 | SK-727080T | KNOB VOLUME |
| 8 | SP-727066T | UPPER COVER AM-A335 |
| 9 | ZS-322580 | ST BID40X08STL BNI |
| 10 | ZS-725691T | SCREW METAL M3*6 |
| 11 | SP-727065T | LOWER COVER AM-A335 |
| 12 | ZS-320906 | ST BR30X06STL CMT |
| 13 | SA-727152T | LEG PART |

NOTE:

Parts will not be supplied if they are not listed in the parts list, even if they appear on the assembling illustrations with reference No.

FINAL ASSEMBLY BLOCK



PARTS LIST

INDEX

| Part No. | Ref. No. | Part No. | Ref. No. | Part No. | Ref. No. | Part No. | Ref. No. |
|------------|----------|------------|----------|------------|----------|----------|----------|
| BA-727072T | 2-1A | EF-691007 | 1-22 | SA-727152T | 8-13 | | |
| BA-727074T | 2-1E | EF-691007 | 3-F3A | SK-720593 | 8-2 | | |
| BA-727075T | 2-1D | EF-691007 | 3-F4A | SK-725598T | 8-4 | | |
| BA-727085T | 2-2 | EF-691007 | 3-F5A | SK-727068T | 8-3 | | |
| BA-727089T | 2-1H | EF-691007 | 3-F5E | SK-727068T | 8-5 | | |
| BA-727153T | 2-1C | EF-691007 | 3-F6A | SK-727069T | 8-6 | | |
| BA-727154T | 2-1B | EF-691007 | 3-F6E | SK-727080T | 8-7 | | |
| BA-727155T | 2-1G | EI-346071 | 1-25 | SP-727065T | 8-11 | | |
| BA-727156T | 2-1F | EI-346071 | 4-IC101 | SP-727066T | 8-8 | | |
| BD-727082T | 8-1A | EI-346071 | 6-IC501 | ZS-320906 | 7-1 | | |
| BD-727091T | 8-1B | EI-358554 | 1-26 | ZS-320906 | 8-12 | | |
| BT-720729 | 1-4 | EI-358554 | 3-IC301A | ZS-322580 | 8-9 | | |
| BT-720729 | 7-4C | EI-727090T | 1-27 | ZS-715479 | 7-6 | | |
| BT-720730 | 1-5 | EI-727090T | 3-IC301B | ZS-725691T | 8-10 | | |
| BT-720730 | 7-4B | EJ-720690 | 7-9 | ZW-727071T | 7-8 | | |
| BT-727073T | 1-1 | EJ-720702 | 3-J331 | ZW-727076T | 7-5 | | |
| BT-727073T | 7-4A | EJ-720703 | 4-J101 | | | | |
| BT-727086T | 1-2 | EJ-720704 | 4-J102 | | | | |
| BT-727086T | 7-4F | EJ-720704 | 4-J103 | | | | |
| BT-727087T | 1-3 | EJ-720704 | 4-J104 | | | | |
| BT-727087T | 7-4E | EJ-720705 | 7-10 | | | | |
| BT-727088T | 1-6 | EJ-722929T | 7-7 | | | | |
| BT-727088T | 7-4D | EO-337880 | 3-L301 | | | | |
| EC-351909 | 3-C45B | EO-337880 | 3-L401 | | | | |
| EC-351909 | 3-C46B | EO-338409 | 5-L11 | | | | |
| EC-352643 | 3-C45A | EO-342936 | 3-L302 | | | | |
| EC-352643 | 3-C46A | EO-342936 | 3-L402 | | | | |
| ED-327057 | 1-11 | ER-313517 | 3-R804 | | | | |
| ED-327057 | 3-D802 | ER-324337 | 3-R314 | | | | |
| ED-348990 | 1-12 | ER-325843 | 3-R51B | | | | |
| ED-348990 | 3-D801 | ER-341940 | 3-R311 | | | | |
| ED-348990 | 3-D804 | ER-341940 | 3-R312 | | | | |
| ED-348990 | 3-D805 | ER-341940 | 3-R411 | | | | |
| ED-350748 | 1-9 | ER-341940 | 3-R412 | | | | |
| ED-350748 | 3-D31B | ER-355633 | 3-R315B | | | | |
| ED-353550 | 1-8 | ER-355633 | 3-R415B | | | | |
| ED-353550 | 3-D31A | ER-360064 | 3-R51A | | | | |
| ED-357754 | 1-10 | ER-368966 | 3-R308 | | | | |
| ED-357754 | 3-D803 | ER-378735J | 3-R315A | | | | |
| ED-706156 | 1-13 | ER-378735J | 3-R415A | | | | |
| ED-706156 | 3-D51 | ER-720699 | 3-R801 | | | | |
| ED-706156 | 3-D61 | ER-720699 | 4-R129 | | | | |
| ED-727084T | 1-7 | ER-720699 | 4-R130 | | | | |
| ED-727084T | 6-D101 | ER-720699 | 6-R511 | | | | |
| ED-727084T | 6-D102 | ER-720699 | 6-R512 | | | | |
| ED-727084T | 6-D103 | ER-720717 | 3-R61 | | | | |
| ED-727084T | 6-D104 | ES-349070 | 1-32 | | | | |
| ED-727084T | 6-D105 | ES-349070 | 7-11 | | | | |
| EF-258344 | 1-24 | ES-720698 | 1-28 | | | | |
| EF-258344 | 5-F1B | ES-720698 | 6-SW501 | | | | |
| EF-358641 | 1-18 | ES-720698 | 6-SW502 | | | | |
| EF-358641 | 5-F1C | ES-720817 | 1-31 | | | | |
| EF-359007 | 1-14 | ES-720817 | 5-SW11 | | | | |
| EF-359007 | 5-F1F | ES-727077T | 1-29 | | | | |
| EF-359086 | 1-17 | ES-727077T | 4-SW101 | | | | |
| EF-359086 | 3-F3D | ES-727078T | 1-30 | | | | |
| EF-359086 | 3-F4D | ES-727078T | 3-SW331 | | | | |
| EF-359225 | 1-16 | ET-308141 | 1-35 | | | | |
| EF-359225 | 3-F3B | ET-308141 | 3-TR801 | | | | |
| EF-359225 | 3-F4B | ET-348302 | 1-33 | | | | |
| EF-359225 | 3-F5F | ET-348302 | 3-TR52 | | | | |
| EF-359225 | 3-F6F | ET-348302 | 3-TR62 | | | | |
| EF-364518 | 1-15 | ET-371005 | 1-34 | | | | |
| EF-364518 | 3-F5C | ET-371005 | 3-TR61 | | | | |
| EF-364518 | 3-F6C | ET-720724 | 1-36 | | | | |
| EF-601301 | 1-20 | ET-720724 | 3-TR51 | | | | |
| EF-601301 | 5-F1D | EV-725471T | 1-38 | | | | |
| EF-601301 | 5-F2B | EV-725471T | 6-VR102 | | | | |
| EF-602550 | 1-19 | EV-725592T | 1-37 | | | | |
| EF-602550 | 5-F1A | EV-725592T | 6-VR501 | | | | |
| EF-602550 | 5-F1E | EV-725592T | 6-VR601 | | | | |
| EF-602550 | 5-F2A | EV-727083T | 1-39 | | | | |
| EF-623125 | 1-21 | EV-727083T | 6-VR101 | | | | |
| EF-623125 | 3-F5B | EW-336923 | 7-13B | | | | |
| EF-623125 | 3-F6B | EW-347898 | 7-13D | | | | |
| EF-690996 | 1-23 | EW-374894 | 7-13A | | | | |
| EF-690996 | 3-F3C | EW-727063T | 7-13C | | | | |
| EF-690996 | 3-F4C | EZ-371605 | 7-12 | | | | |
| EF-690996 | 3-F5D | MZ-727067T | 7-2 | | | | |
| EF-690996 | 3-F6D | MZ-727070T | 7-3 | | | | |

ABBREVIATIONS (AMPLIFIER)

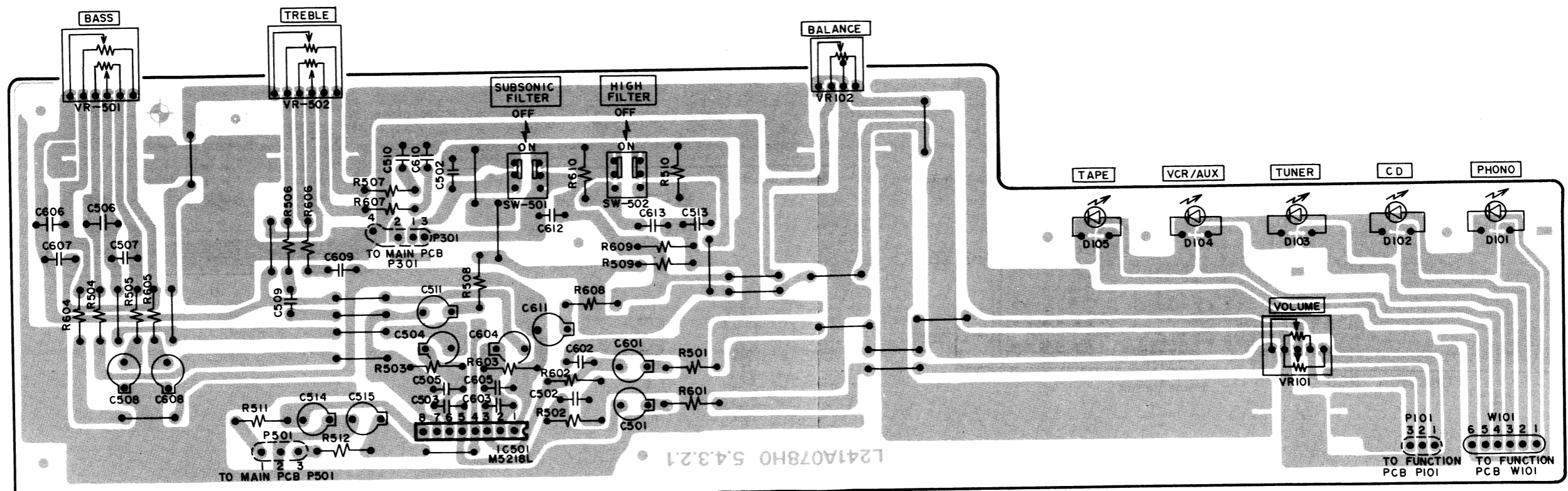
| ABBREVIATIONS | EXPLANATION |
|---------------|-----------------------|
| AC | Alternating Current |
| AMP | AMPIifier |
| CD | Compact Disc |
| DC | Direct Current |
| GND | GrouND |
| MC | Moving Coil |
| MM | Moving Magnet |
| PCB | Printed Circuit Board |
| REC | RECORD |
| SW | SWitch |
| V.DISC | Video DISC |
| VR | Variable Resistance |
| VTR | Video Tape Recorder |

AKAI

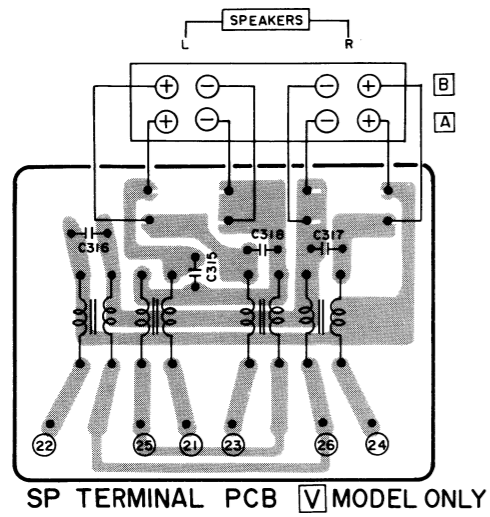
MODEL **AM-A335**

MODEL **AM-A535**

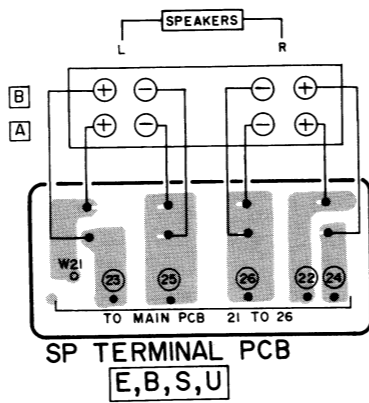
SCHEMATIC DIAGRAM AND PC BOARDS



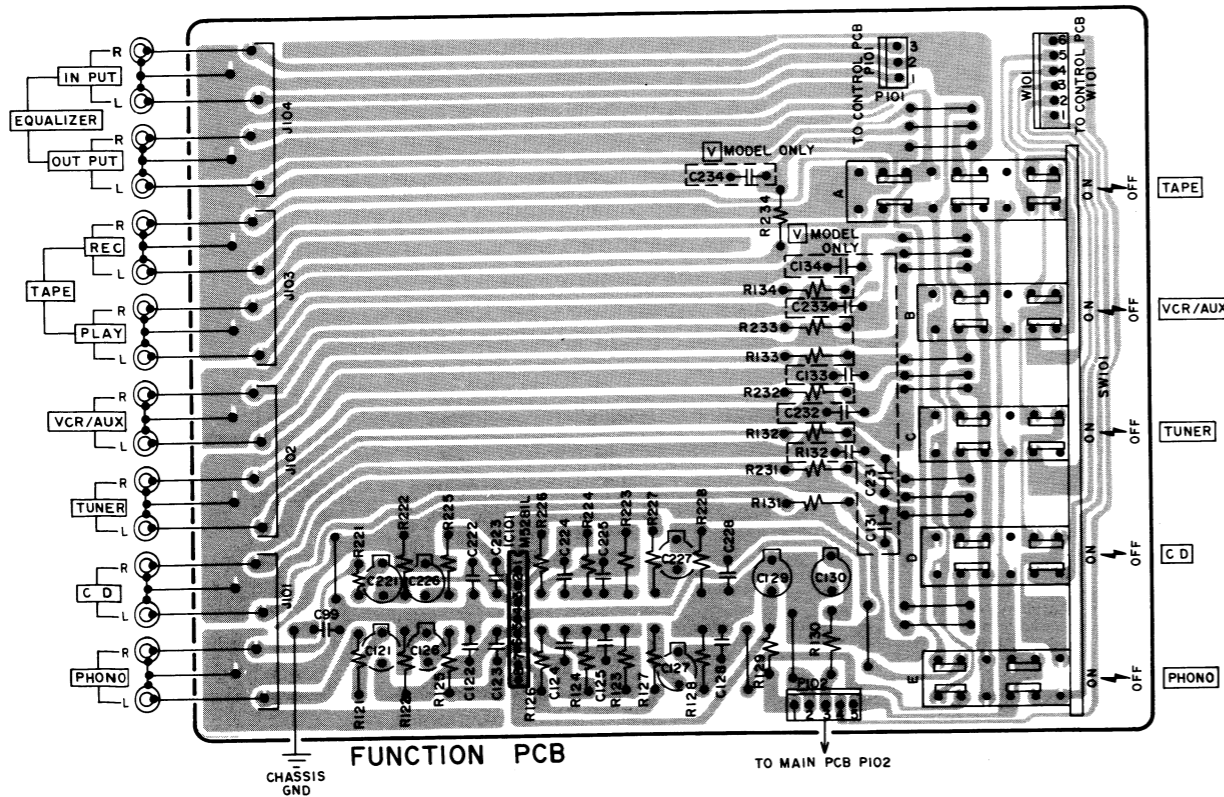
CONTROL PCB



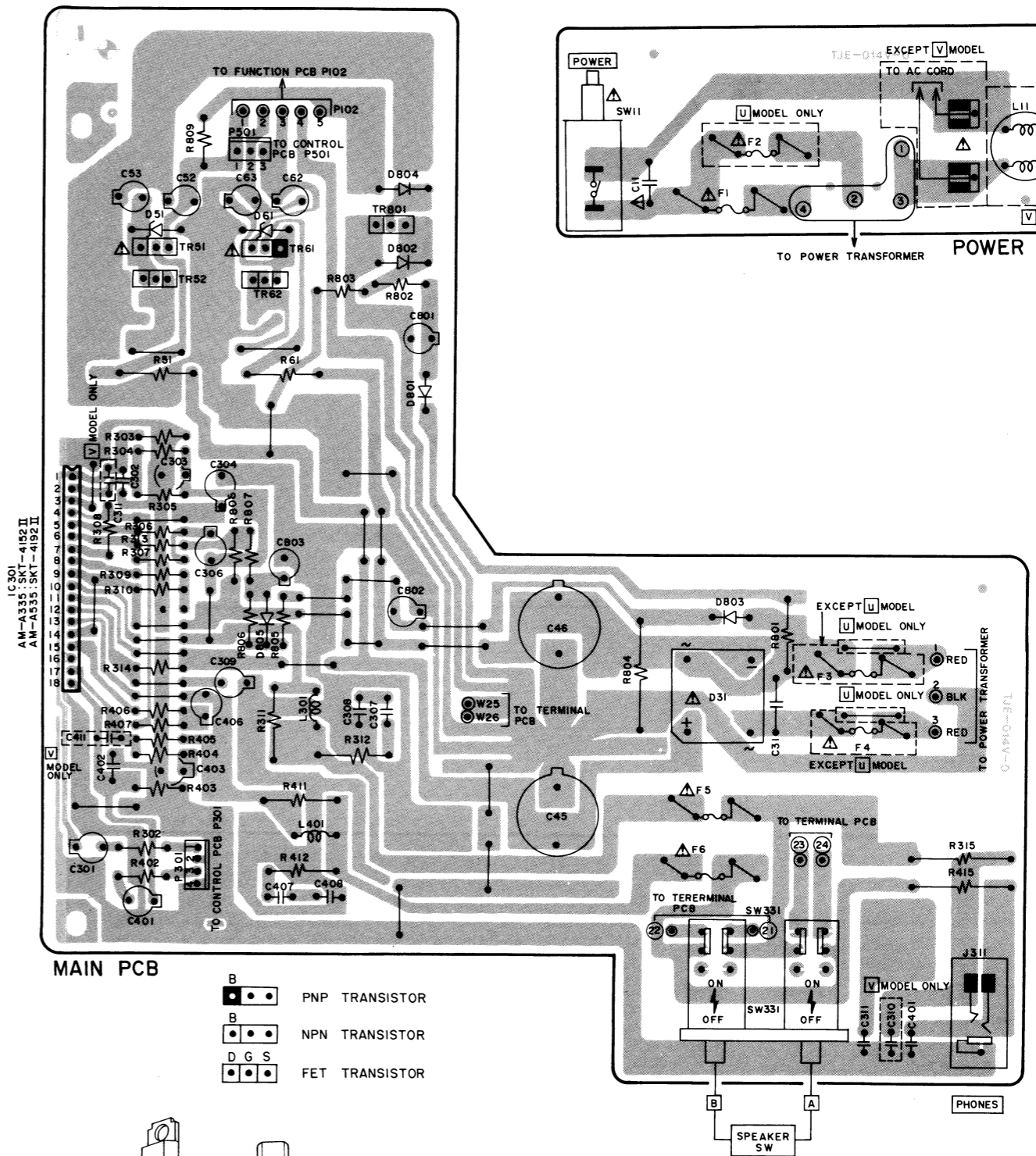
SP TERMINAL PCB [V] MODEL ONLY



SP TERMINAL PCB
E, B, S, U

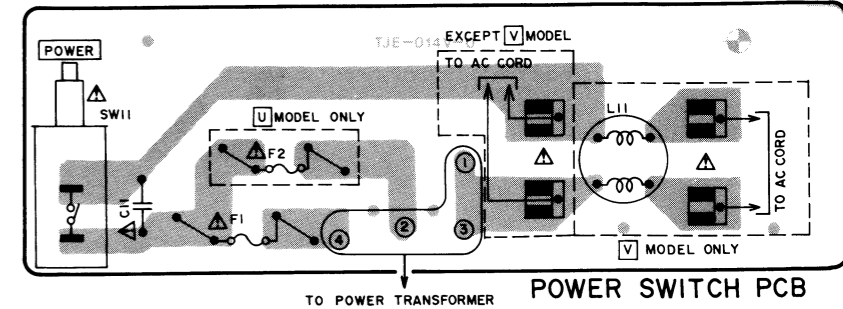
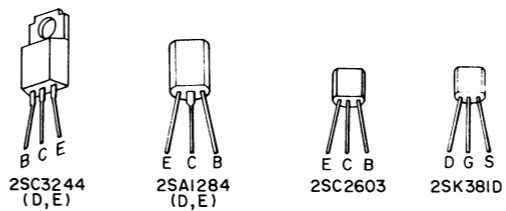


FUNCTION PCB



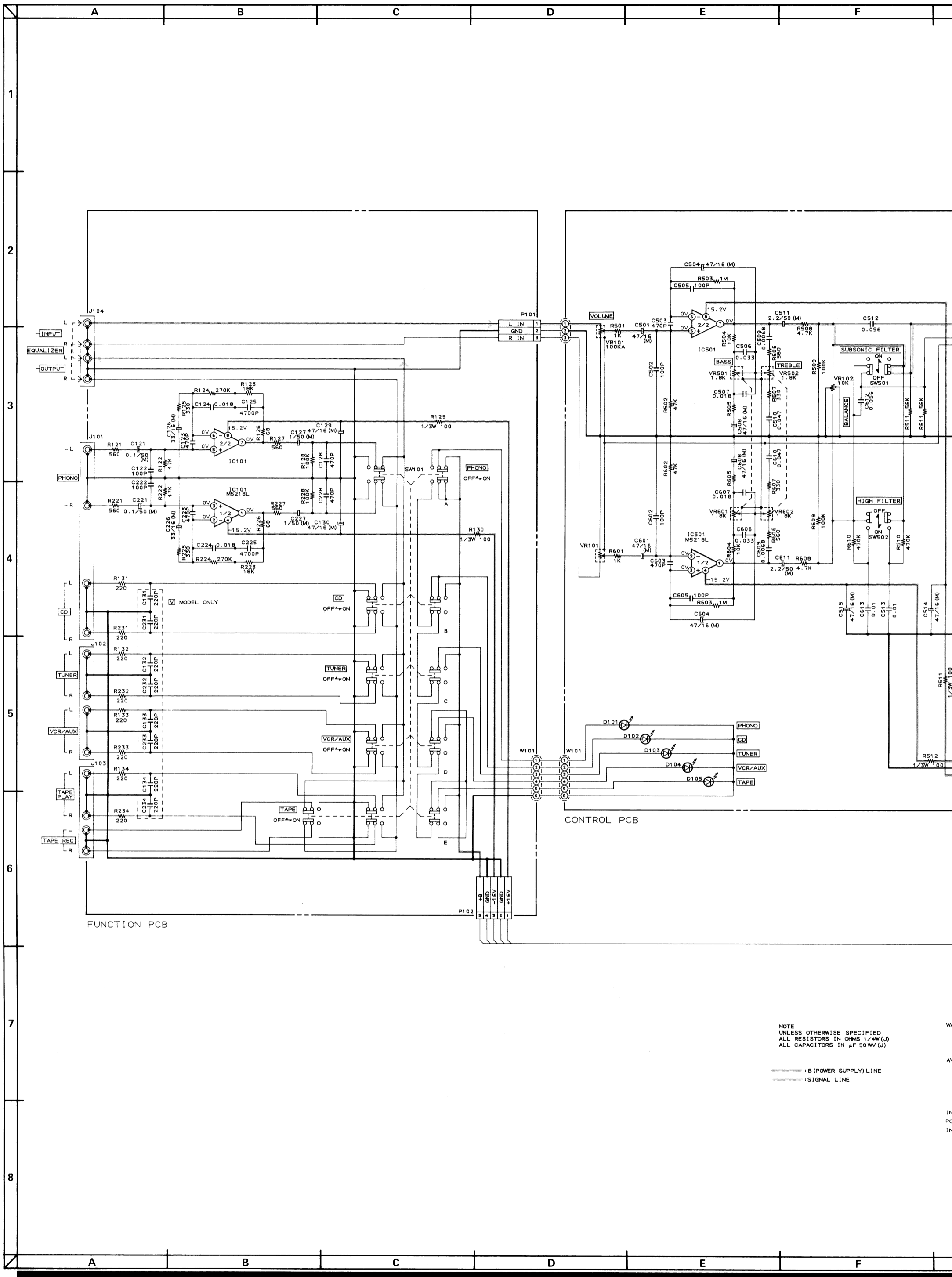
MAIN PCB

- PNP TRANSISTOR
- NPN TRANSISTOR
- FET TRANSISTOR



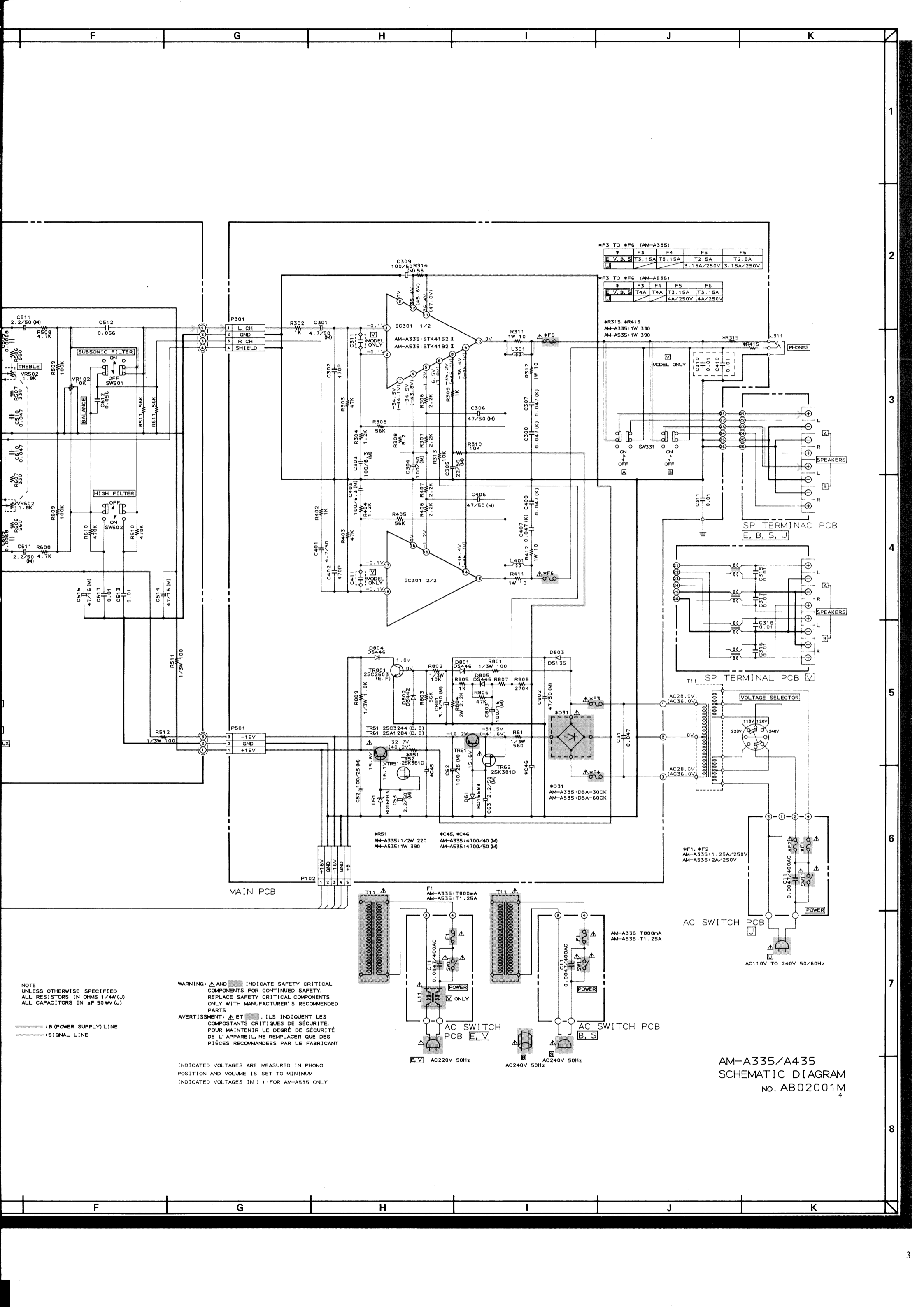
POWER SWITCH PCB

WARNING: Δ INDICATES SAFETY CRITICAL COMPONENTS. FOR CONTINUED SAFETY, REPLACE SAFETY CRITICAL COMPONENTS ONLY WITH MANUFACTURER'S RECOMMENDED PARTS.
 AVERTISSEMENT: Δ IL INDIQUE LES COMPOSANTS CRITIQUES DE SÉCURITÉ. POUR MAINTENIR LE DEGRÉ DE SÉCURITÉ DE L'APPAREIL, NE REMPLACER QUE DES PIÈCES RECOMMANDÉES PAR LE FABRICANT.



NOTE
 UNLESS OTHERWISE SPECIFIED
 ALL RESISTORS IN OHMS 1/4W(J)
 ALL CAPACITORS IN μ F 50WV(J)

— (B) (POWER SUPPLY) LINE
 — (S) (SIGNAL) LINE



| *F3 TO *F6 (AM-A335) | | | | | |
|----------------------|--------|--------|------------|------------|--|
| *F3 | *F4 | *F5 | *F6 | | |
| E, V, B, S | T3.15A | T3.15A | T2.5A | T2.5A | |
| U | | | 3.15A/250V | 3.15A/250V | |

| *F3 TO *F6 (AM-A535) | | | | | |
|----------------------|-----|--------|---------|---------|--|
| *F3 | *F4 | *F5 | *F6 | | |
| E, V, B, S | T4A | T3.15A | T3.15A | | |
| U | | | 4A/250V | 4A/250V | |

| *R315, *R415 | | | |
|----------------|--|--|--|
| AM-A335:1W 330 | | | |
| AM-A535:1W 390 | | | |

NOTE
UNLESS OTHERWISE SPECIFIED
ALL RESISTORS IN OHMS 1/4W(J)
ALL CAPACITORS IN μF 50W(J)

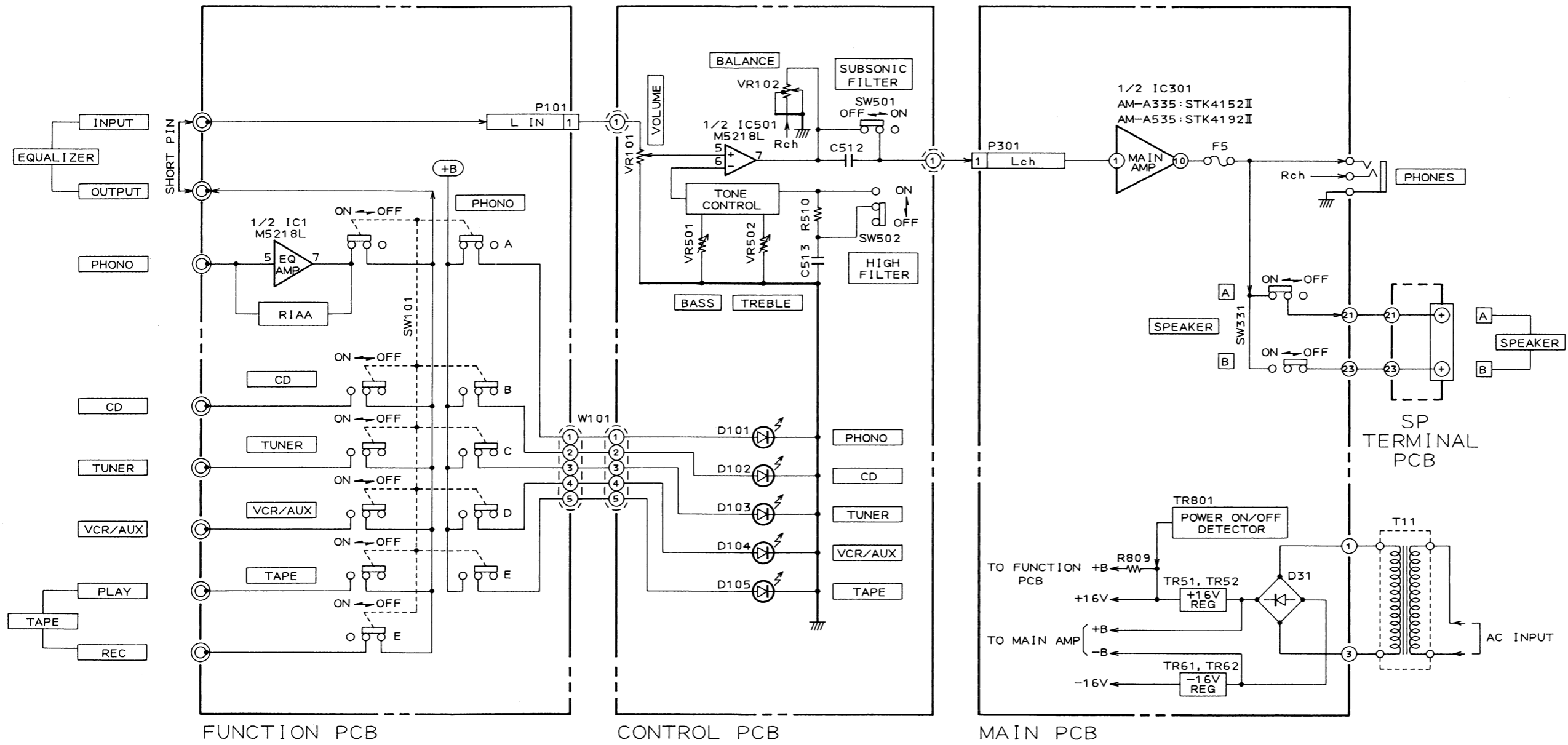
— B (POWER SUPPLY) LINE
— SIGNAL LINE

WARNING: ⚠ AND ⚡ INDICATE SAFETY CRITICAL COMPONENTS FOR CONTINUED SAFETY. REPLACE SAFETY CRITICAL COMPONENTS ONLY WITH MANUFACTURER'S RECOMMENDED PARTS
AVERTISSEMENT: ⚠ ET ⚡, ILS INDIQUENT LES COMPOSANTS CRITIQUES DE SÉCURITÉ. POUR MAINTENIR LE DEGRÉ DE SÉCURITÉ DE L'APPAREIL, NE REMPLACER QUE DES PIÈCES RECOMMANDÉES PAR LE FABRICANT

INDICATED VOLTAGES ARE MEASURED IN PHONO POSITION AND VOLUME IS SET TO MINIMUM.
INDICATED VOLTAGES IN () FOR AM-A535 ONLY

AM-A335/A435
SCHEMATIC DIAGRAM
NO. AB02001M
4

1
2
3
4
5
6
7
8



AM-A335/A535
BLOCK DIAGRAM
AB02051M